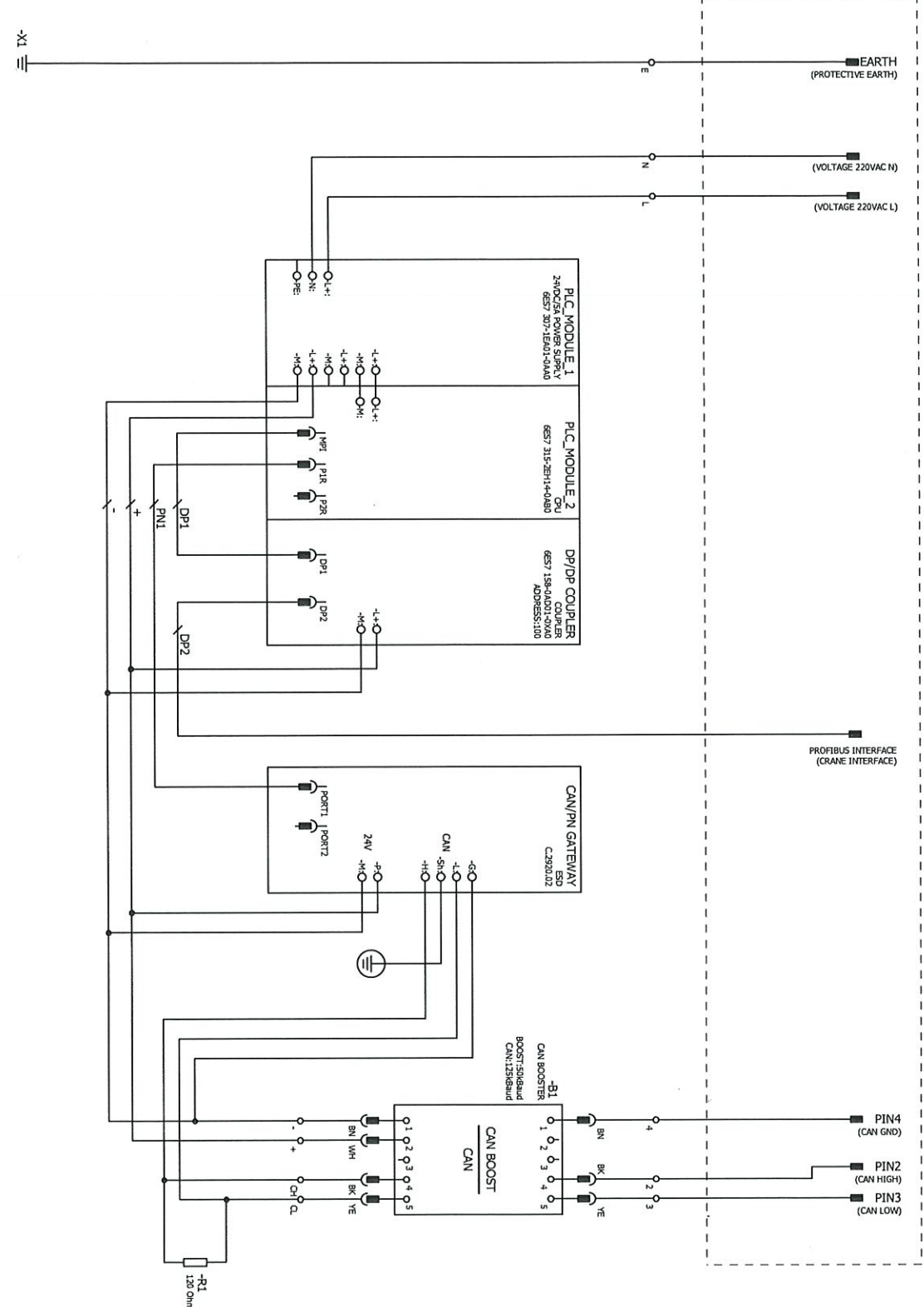


CRANE CABIN



CHECKED	DRAWN	DESCRIPTION	DATE	REL. NO.	REV.	PART / DRAWING
RSLT	RSLT	FOR OMM	27-12-18	0		
DESIGNED BY			CHECKED BY			DATE
DRAWN			APPROVED BY			31-07-18
			SHEET NO.			1 OF 1